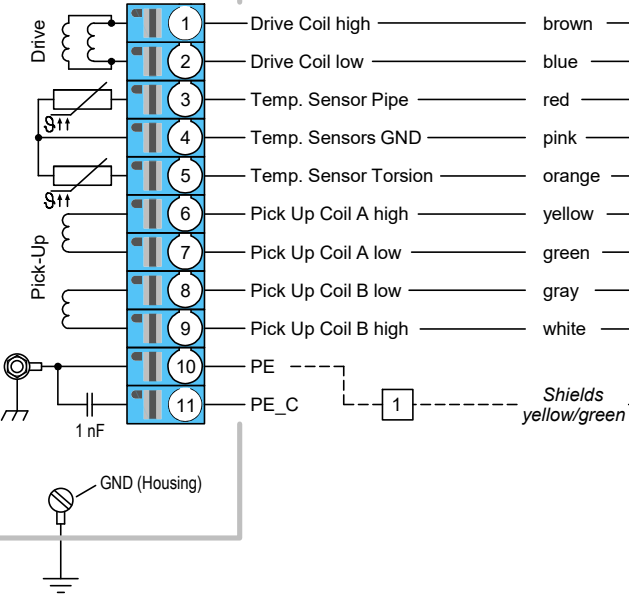


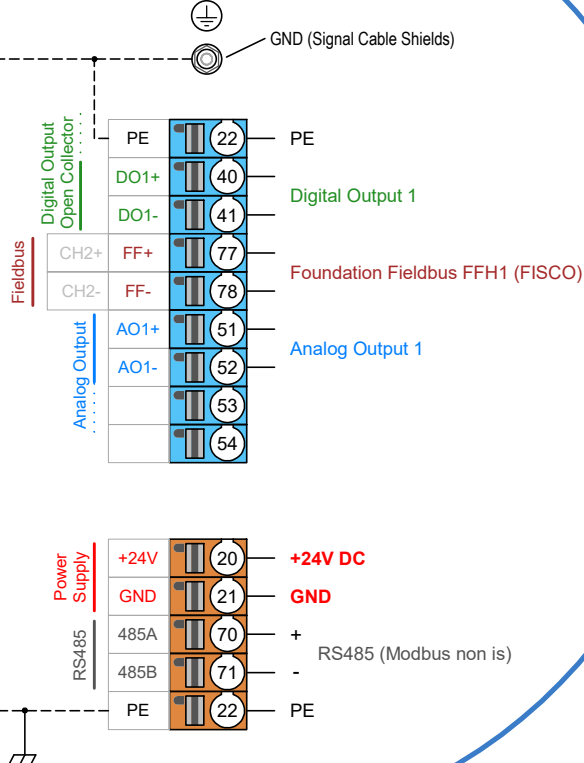
ARHE-C4
Sensor - Transmitter
Interconnecting Cable
(only for remote installations)

RHM
Mass Flow Meter Sensor

Function Wire Color



RHE 42
Transmitter



1 Best protection against electromagnetic interference is achieved by connection of the cable screens to PE.
For special cases with longer cables and small differences in earth potential between RHM and RHE installation the screens can be connected to PE_C. In case of substantial potential differences a potential equalization cable is mandatory.

When connecting the sensor and transmitter the respective local code for electrical installations must be considered.
Beware that there might be additional considerations for installation in hazardous areas.

Do not open the RHE42 under power.

Terminal assignment channel 2, drawing shows I/O option i2

Version	CH2+	Terminal	Function	CH2-	Terminal	Function
i1	42		Digital output 2 (+)	43		Digital output 2 (-)
i2	46		Digital input 1 (+)	47		Digital input 1 (-)
FF, F2	77		Foundation Fieldbus FFH1 (FISCO) (+)	78		Foundation Fieldbus FFH1 (FISCO) (-)
PA, P2	77		Profibus PA (FISCO) (+)	78		Profibus PA (FISCO) (-)

NOTE:
Intrinsically safe I/O circuits must only be operated with certified barriers or isolating amplifiers

created / revised
Date 22.11.2022
Drawn H.G.Rudolph
Appr. M.Weber



Wiring Diagram RHE42 (is)
RHE42-****_**F2-****_***

Project	
Customer	
Draw. - Rev.	E42W-E_F2_Rev_1_2
Sheet	1 / 1