

RHM
Mass Flow Meter Sensor

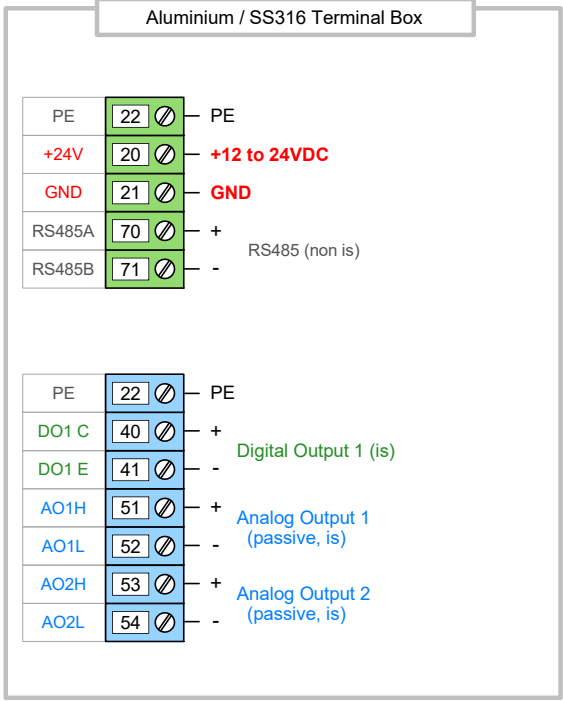
ARHE-C4
Sensor-Transmitter
Interconnecting cable

Integral
Sensor Cable

SS316
Terminal Box

RHE 21
Transmitter

RS485 Load
ON OFF



Function	Wire Color	Terminal
Drive Coil high	brown	1 DrvH
Drive Coil low	blue	2 DrvL
Temp. Sensor Pipe	red	3 PtP
Temp. Sensors GND	pink	4 PtG
Temp. Sensor Torsion	orange	5 PT
Pick Up Coil A high	yellow	6 PkAH
Pick Up Coil A low	green	7 PkAL
Pick Up Coil B low	gray	8 PkBL
Pick Up Coil B high	white	9 PkBH
PE		10 PE
PE_C		

Shields yellow/green

1 Best protection against electromagnetic interference is achieved by connection of the cable screens to PE.
For special cases with longer cables and small differences in earth potential between RHM and RHE installation the screens can be connected to PE_C. In case of substantial potential differences a potential equalization cable is mandatory.

When connecting the sensor and transmitter the respective local code for electrical installations must be considered.
Beware that there might be additional considerations for installation in hazardous areas.
 Do not open RHE housing under power.

NOTE:
Intrinsically safe I/O circuits must only be operated with certified barriers or isolating amplifiers

created / revised	
Date	22.11.2022
Drawn	H.G.Rudolph
Appr.	M. Weber



Wiring diagram RHE 21
RHE21_****_**j2-****_***

Project	
Customer	
Draw. - Rev.	E21W-E_i2_Rev_1_1
Sheet	1 / 1